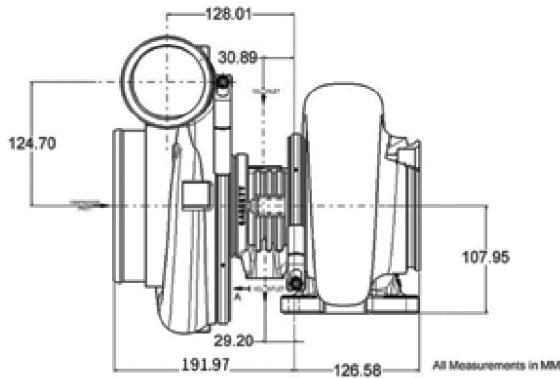


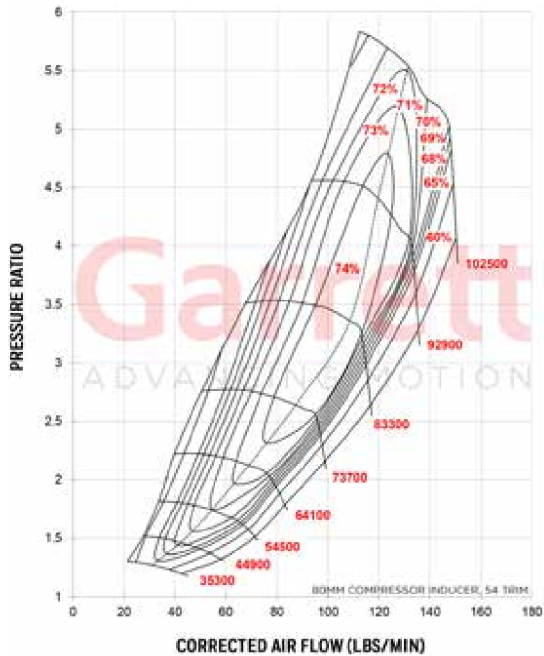
# Garrett® GTX5009R GEN II NEW PRODUCT

**Garrett**  
ADVANCING MOTION

Horsepower: 875 - 1700  
Displacement: 2.5L - 10.0L



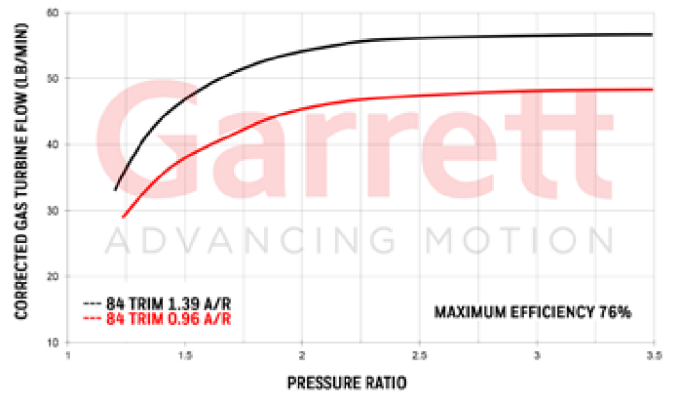
## COMPRESSOR MAP



## FEATURES:

- ◆ GEN 2 COMPRESSOR WHEEL AERODYNAMICS
- ◆ 15% INCREASED COMPRESSOR FLOW
- ◆ 76MM, 80MM, INDUCER CONFIGURATIONS
- ◆ .88 A/R COMPRESSOR HOUSING VOLUTE
- ◆ 39% LOWER INERTIA THAN PREVIOUS GENERATION
- ◆ SUPER CORE AND TURBINE HOUSING SOLD SEPARATELY
- ◆ COMPATIBLE WITH GT AND GTX GEN I TURBINE HOUSINGS

## EXHAUST FLOW CHART



GTX5009R Gen II Reference Data	Compressor				Turbine		
	Super Core PN	Inducer	Exducer	Trim	A/R	Inducer	Exducer
851285-5016S	76mm	109mm	49	0.88	99mm	91mm	84
851285-5017S	80mm	109mm	54	0.88	99mm	91mm	84
<b>Notes:</b>	<b>Turbine Kit PN</b>	<b>A/R</b>	<b>Inlet</b>	<b>Outlet</b>	<b>Wastegate</b>	<b>Divided</b>	<b>Trim</b>
Super Core and Turbine Kit Sold Separately	761208-0030	0.96	T6	V-Band	Free Float	N	84
	761208-0033	1.39	T6	V-Band	Free Float	N	84